

CX4

Marine and Land Based VHF Antenna

CX4 is an omnidirectional dipole antenna. The CX4 is manufactured in premium quality materials in order to prevent galvanic corrosion. Radiating elements are made of brass.

CX4 has been sold worldwide for more than four decades. The antenna is subject for improvement at all times. The antenna has the same rugged design as all other AC Antennas products thus it withstands harsh environmental conditions, both on sea and land.

Electrical specifications

Frequency range (MHz)	146.0-162.5
Nominal impedance (ohm)	50
VHF power rating (Watt).	100
Gain (dBd/Marine dB)	0/3
VSWR	< 1.5:1
Polarization	Vertical
Connector	UHF-female
DC-shorted	Yes

Mechanical specifications

Length (m/ft)	1.26/4.13
Weight (kg/lbs)(excl. & incl. mount)	0.5/1.1 & 0.6/1.3
Wind rating (m/s / mph)	45/101
Material	Fibreglass
Colour	White polyurethane lacquer
Temperature range (°C/°F)	-55 to +60 / -67 to +140
Ingress Protection	IP66

Mounting

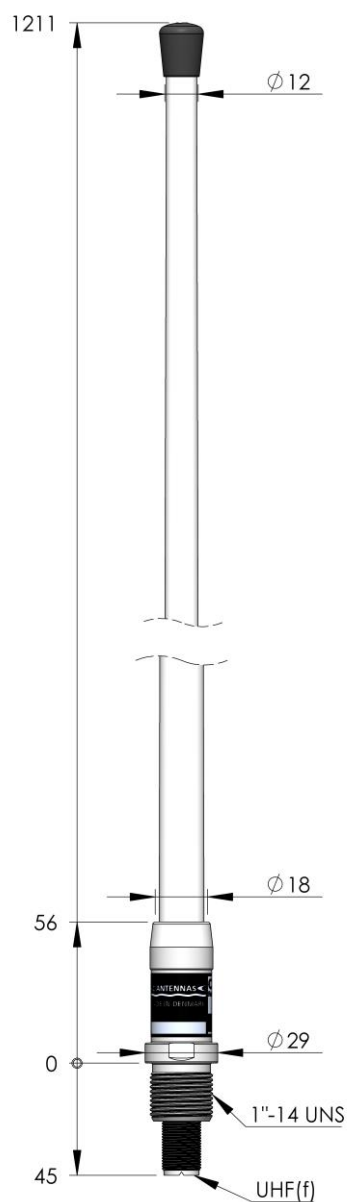
N240F with 1 1/4" thread included.

Can be used with all standard AC Antennas mounting equipment.



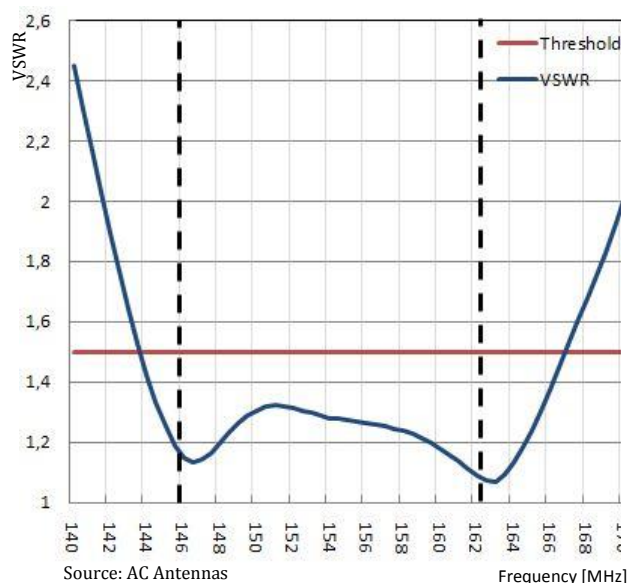
N240F included





VSWR

Voltage standing wave ratio is a measure of the energy lost in the coax cable/antenna connection. The figure to the right shows VSWR measurement based on the average of a significant numbers of antennas. All antennas delivered by AC Antennas are tested and a VSWR less than 1.5 is guaranteed in the specified frequency range.



Vertical radiation pattern

Vertical radiation pattern for the omnidirectional antenna at the center frequency. The figure shows that the antenna has 0 dB gain near the horizontal plane.

